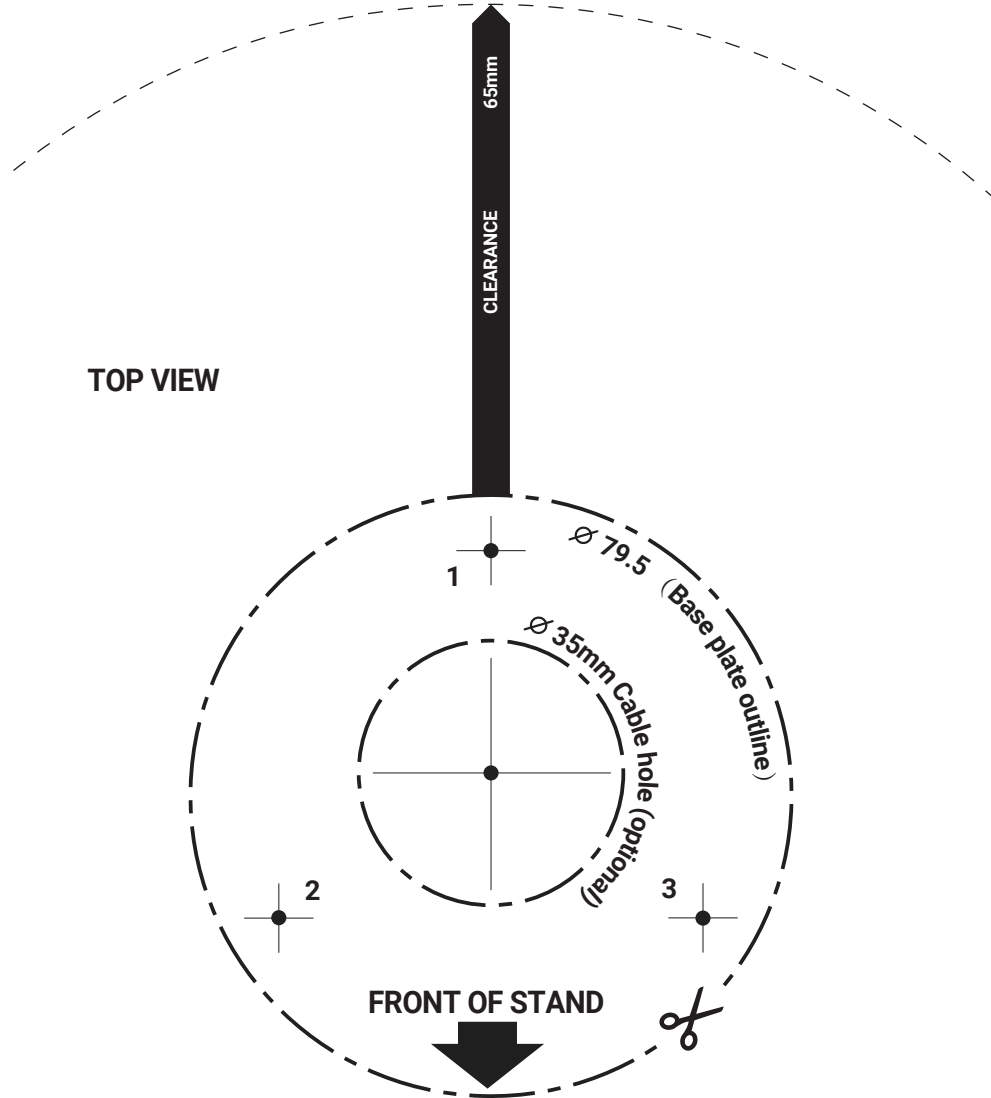


Drill & Positioning Template

Check template is 100% scale by overlaying Stand onto printed Template below.



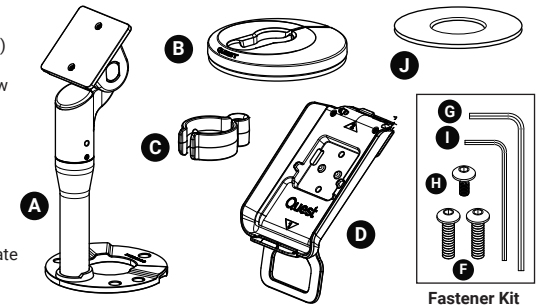
QT860 Countertop Stand Installation Guide



120-0050-01

Parts list:

- | | | | |
|----|-----------------------------|----|---------------------------------|
| A. | Metal Countertop Stand | F. | 2x M4 Screws (Long) |
| B. | Base plate Cover | G. | 1x Large Hex Key |
| C. | Cable Clip | H. | 1x M3 Security Screw (optional) |
| D. | QT860 Holster Assembly | I. | 1x Small Hex Key |
| E. | 12V Power Supply with Cable | J. | Adhesive Patch |
| | | K. | IPA Cleaning Wipe |



Placement guidelines

- When a Terminal is fitted to the Stand, it requires 65mm (minimum) of clearance from the back edge of the baseplate (see guide over page). This zone will allow the Terminal to swivel and tilt uninterrupted.
- Cut out the Drill template to determine the optimum position to mount the stand on the countertop. Measure twice, cut once!

Note: No screw fasteners are provided. The installer must select and supply the appropriate fastener style to suit the installation. Ensure the fastener head will fit under the Base plate cover (item B).

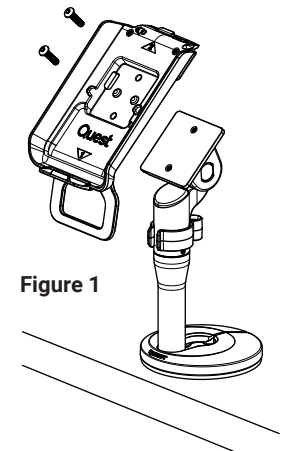
Installing using Screws

- Determine optimum placement**
 - Cutout the Drill template over the page. Use it to determine optimum location of Stand for usability and functionality.
- Mark and drill holes**
 - Mark three screw locations onto the countertop using the Drill template. Drill 3 holes to suit the chosen fasteners.
 - Optional - Mark and drill the large Cable pass through hole.
- Install the Countertop Stand**
 - Fasten the base plate to the Countertop with the appropriate screws (not supplied by Quest).

Installing using Adhesive

- Prepare the surfaces**
 - Clean and degrease the under side of the Stand (item A), and the countertop surface with the IPA cleaning wipe provided.
- Applying Adhesive Patch to Stand**
 - Remove the white paper liner from the Adhesive patch.
 - Temporarily place Adhesive patch on the countertop with the exposed adhesive side facing up.
 - Align the baseplate of the Stand onto the Adhesive patch and press down firmly to ensure good application.
- Securing the Stand to the Countertop**
 - Peel the red plastic liner from Adhesive patch using the pull tab.
 - Orientate the Stand in the desired location on the countertop (pole to be nearest the user). Press Stand base plate with Adhesive firmly onto the countertop to achieve a good bond. NOTE: (80% bond strength is achieved in 20 minutes. 100% bond strength is achieved in 24 hours).

- Fit plastic Base Plate Cover**
 - Clip the Cover onto the base plate of the Stand by flexing the cover around the pole and clicking over the baseplate.
- Fit the Holster Assembly**
 - Align the holes on the Holster Assembly with the holes on the Stand. Secure Holster with the two M4 screws using the Large Hex Key. (See Figure 1)
- Power up**
 - Plug the 12V Power supply into a nearby power outlet (Note: Cable length = 1.5 metres).
 - If drilled, pass cable up through the large cable hole in the countertop.
 - Press the power cable into the Cable clip (item C). Attach the Clip to the Stand by flexing it over the pole. Click Clip into matching 2 holes on the pole (see Figure 1)
 - Plug in the Power supply cable into the back of the Holster Assembly.
 - Switch on power at the outlet. Check the light on back of the Holster Assembly illuminates.
- Fit the QT860 Terminal**
 - Fit a QT860 Terminal onto the Holster by placing nose down first, then rotate back. Ensure the Latch on the Holster latches the Terminal as expected.

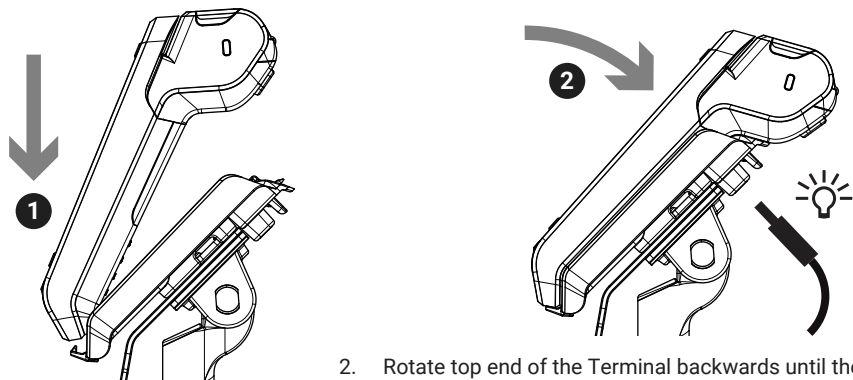


If you require assistance with this product, please contact your nominated support help desk.



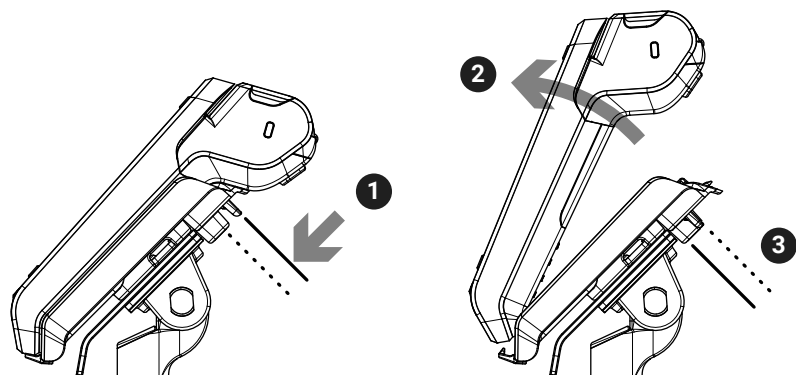
Features Guide

To dock the QT860 Terminal onto Stand



1. Place the nose of the Terminal onto the Holster (marked 1).
2. Rotate top end of the Terminal backwards until the Holster Latch clicks into the back of the Terminal.
3. Terminal will charge if power is connected and turned on.

To release the QT860 Terminal from Stand



1. Push the Holster latch down.
2. Lift Terminal out. Release the latch.

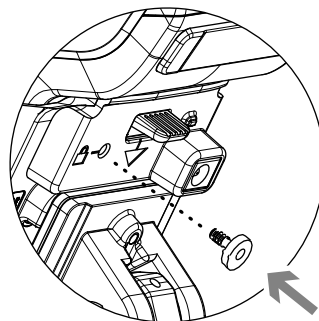
To lock the Terminal to the Holster

Option 1:

1. Use a Kensington Cable. This option allows merchant to pass the Terminal to a customer to enter their PIN on back side of the Terminal.
2. Attach the Kensington T-lock into the side of the Terminal. Loop other end of the cable around an immovable object.

Option 2:

1. Fit the Terminal into the Holster.
2. Fit the M3 Security screw and tighten by hand or with a coin.
3. Put Hex key in safe place for future use.



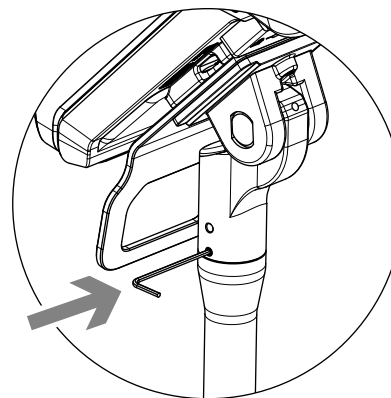
Rotate the Terminal

From a forward facing position, the Terminal can be rotated 180 degrees in either direction. Rotation greater than 180 degrees is prevented to avoid damage to cables.



FRONT FACE

To lock Terminal in forward facing position

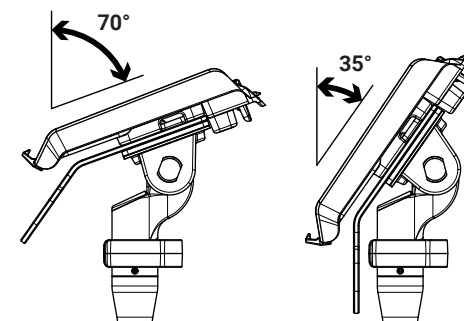


1. Rotate the Countertop stand so it faces perfectly forward.
2. Use the Small hex key to partially unscrew the internal set screw deep within the pole. Stop unscrewing when the set screw is flush with the outside of the pole.

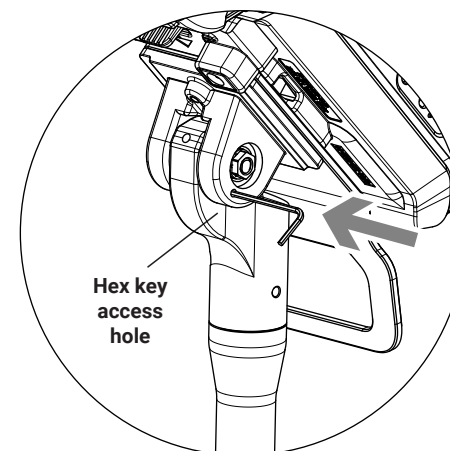
To allow rotation, simply screw the set screw into the pole until rotation is restored.

Tilt the Terminal

Whilst latched, the Holster and Terminal can be tilted to suit the viewing angle of the user.



To lock tilt angle at 45deg



1. Tilt the Countertop Stand until the set screw is visible from the side access hole (about 45deg).
2. Using the Small hex key, unscrew the internal set screw so that it moves outwards and engages with the tilting head thus locking it.

To restore tilt function, screw the set screw in until tilting is restored.